

# LUXA 103 S360-100-28 DE-UP WH

Item no.: 1030072

## Presence and motion detectors Indoor detectors

### Description

- Passive infrared presence detector, ceiling installation as supplied or flush-mounting by means of removable springs/protection cap and enclosed mounting frame
- Rectangular detection area 360°, 28 x 5 m (140 m<sup>2</sup>) at 3 m mounting height
- 1 channel light (relay 230 V)
- Extension of the detection area by parallel switching, a maximum of 8 detectors can be connected in parallel
- Networking with wall detector theMura Slave possible
- Connection option for push-button for manual switching
- Operation as fully or semi-automatic possible
- One directional brightness measurement (mixed light measurement)
- Teach-in function, pulse function, test function, staircase lighting function
- Ready for operation immediately due to factory presetting
- Changes of values and settings are possible with potentiometers and with one of these optional remote controls:
  - App/universal remote control theSenda B
  - Service remote control theSenda P
  - Optional user remote control for manual override theSenda S/theSenda B
- Restriction of the detection range possible



### Technical data

LUXA 103 S360-100-28 DE-UP WH		LUXA 103 S360-100-28 DE-UP WH	
Operating voltage	230 V AC	Switching output	Light
Frequency	50 Hz	Installation type	Ceiling installation
Stand-by consumption	ca. 0.5 W	Setting range brightness	5 – 1000 lx
Light measurement	Mixed light measurement	Detection angle	360°
Colour	White	Installation height	2.5 – 3.5 m

Subject to technical changes and misprints

additional information at: [www.theben.de/product/1030072](http://www.theben.de/product/1030072)

The load data are determined with exemplary selected illuminants and are therefore typical data due to the large number of available products.

# LUXA 103 S360-100-28 DE-UP WH

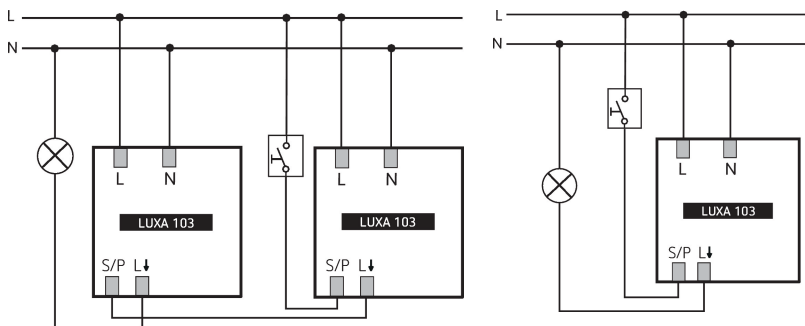
Item no.: 1030072



## Technical data

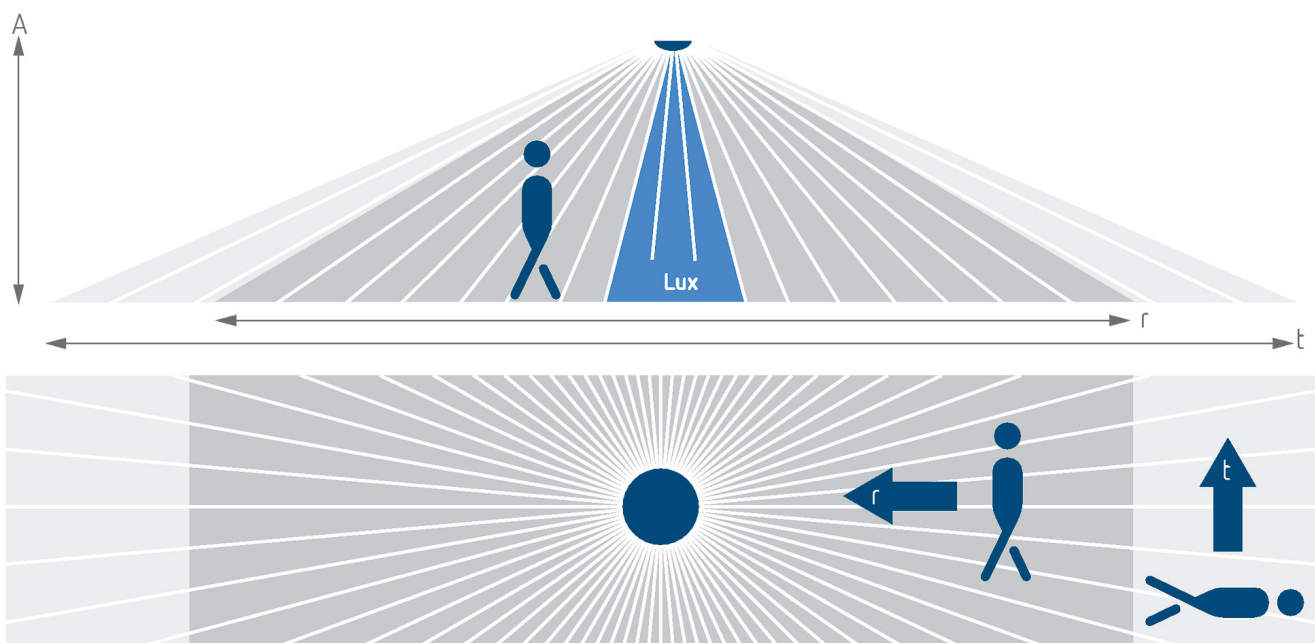
LUXA 103 S360-100-28 DE-UP WH		LUXA 103 S360-100-28 DE-UP WH	
Light switch-off delay	15 s - 30 min	Lamps	Incandescent/halogen lamps, fluorescent lamps, Energy saving lamps, LEDs
Incandescent/halogen lamp load	2300 W	Remote controlled	✓
Inrush current	max. 500 A / 200 $\mu$ s	Ambient temperature	-25°C ... 55°C
LED lamp 2-8 W	400 W	Type of protection	IP 54 (when fitted)
LED lamp > 8 W	400 W		

## Connection example



## Detection range for planning applications at a temperature of 21 °C

Mounting height (A)	Diagonally (T)	Head on to (R)	
2.5 m	140 m <sup>2</sup>   28 m x 5 m	70 m <sup>2</sup>   14 m x 5 m	
3 m	140 m <sup>2</sup>   28 m x 5 m	70 m <sup>2</sup>   14 m x 5 m	
3.5 m	104 m <sup>2</sup>   26 m x 4 m	60 m <sup>2</sup>   12 m x 5 m	



Subject to technical changes and misprints

additional information at: [www.theben.de/product/1030072](http://www.theben.de/product/1030072)

The load data are determined with exemplary selected illuminants and are therefore typical data due to the large number of available products.

12/10/2022

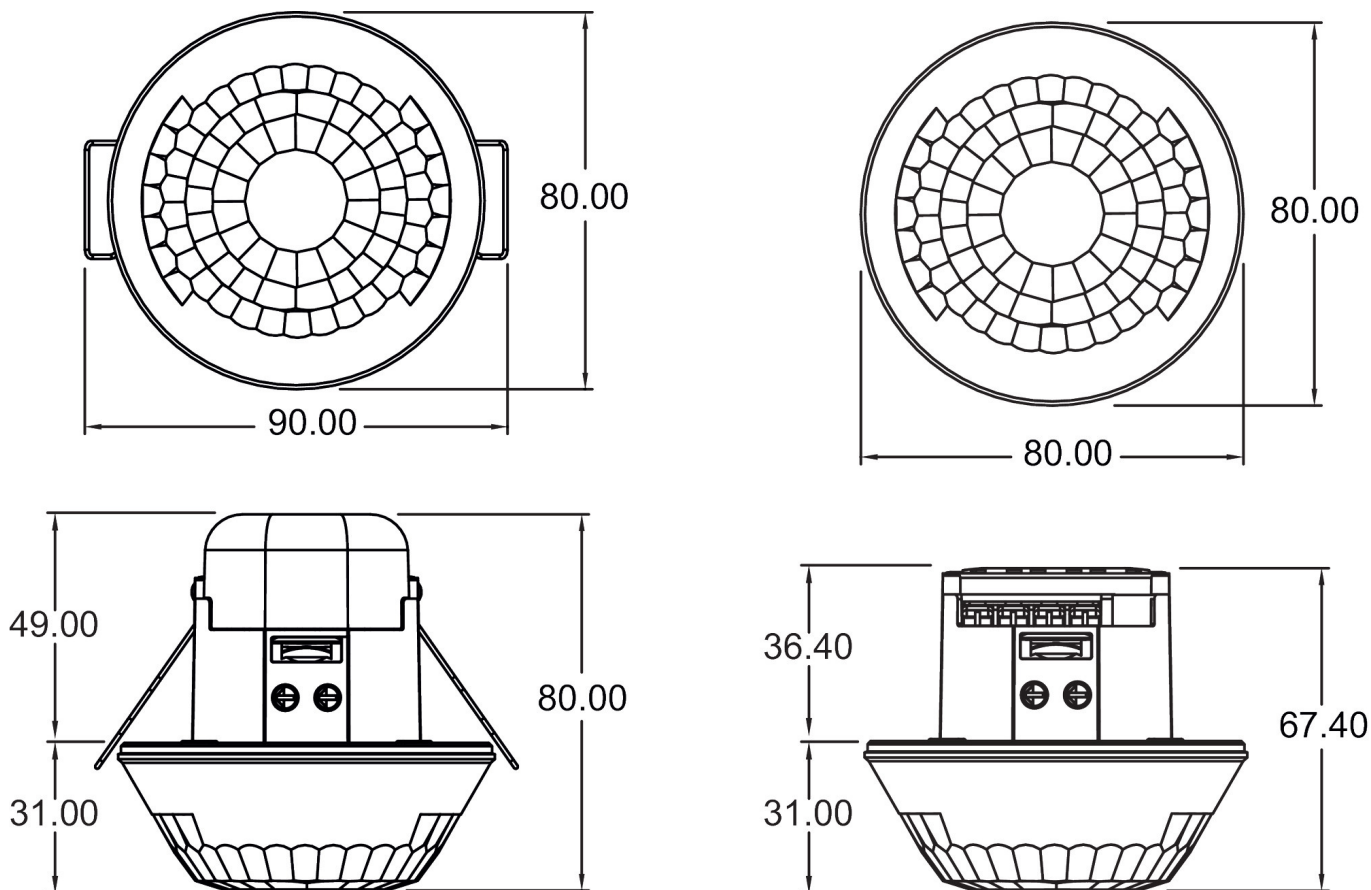
Page 2 of 3

# LUXA 103 S360-100-28 DE-UP WH

Item no.: 1030072

**theben**

## Scale drawings



## Accessories

**theSenda P**  
Item no.: 9070910



**theSenda S**  
Item no.: 9070911



**theSenda B**  
Item no.: 9070985



Subject to technical changes and misprints  
additional information at: [www.theben.de/product/1030072](http://www.theben.de/product/1030072)

The load data are determined with exemplary selected illuminants and are therefore typical data due to the large number of available products.